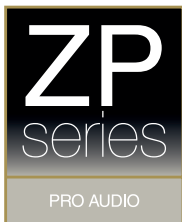




PHOENIX GOLD



ZPRO36

3.8" BULLET TWEETER

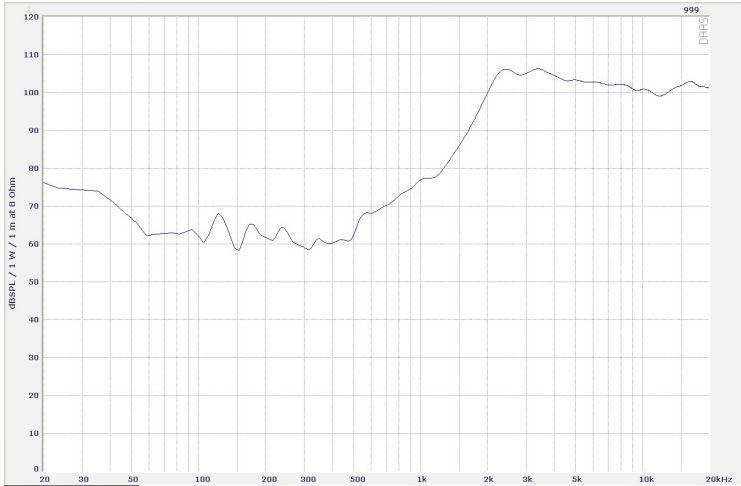
SPECIFICATIONS

| | |
|------------------------|-------------------------|
| Specifications: | ZPRO36 |
| Speaker Type: | Bullet Tweeter |
| Speaker Size: | 1" (25mm) |
| Impedance: | 4 Ω |
| Frequency Response: | 2kHz – 20kHz |
| Power handling (RMS): | 75 W |
| Power handling (MAX): | 225 W |
| Sensitivity: | 102dB (1W/1m) |
| Voice Coil: | 1" (25mm) |
| Speaker Displacement: | 0.06 L |
| Mounting Depth: | 41 mm |
| Mounting Diameter: | 71 mm (87 mm terminals) |
| Outer Diameter: | 98 mm |
| Speaker Grills: | Pair |
| Unit: | 0.5 kg |
| Weight (Each Speaker): | 1.3 kg |

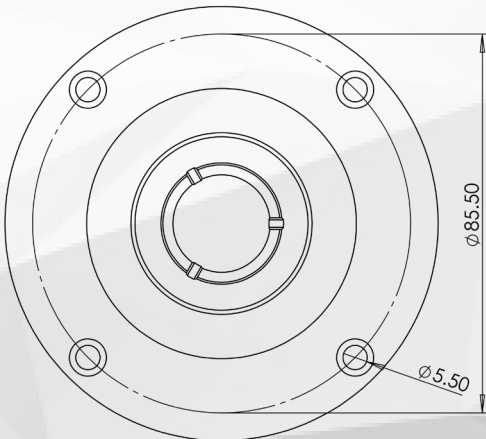
TS PARAMETERS

| | |
|------|----------------|
| Re: | 3.952 Ω |
| Fs: | 2664 Hz |
| Qms: | 4.472 |
| Qes: | 6.42 |
| Qts: | 2.636 |
| Le: | 0.102 mH |

GRAPHS



ZP65 CRITICAL DIMENSIONS





Disclaimer

Always ensure the speaker is securely attached, to avoid movement. PHOENIX GOLD accepts no responsibility for damage or injury in relation to inappropriate securing of this product.

Phoenix Gold Product Warranty

LIMITED WARRANTY ON SPEAKERS

Phoenix Gold warrants this product to be free of defects in materials and workmanship for a period of one (1) years from the original date of purchase. This warranty is not transferable and applies only to the original purchaser from an authorized Phoenix Gold dealer. Should service be necessary under this warranty for any reason due to manufacturing defect or malfunction, Phoenix Gold or it's Country distributor / reseller will (at its discretion) repair or replace the defective product with new or re-manufactured product at no charge. Damage caused by the following is not covered under warranty: accident, misuse, abuse, product modification or neglect, failure to follow installation instructions, unauthorized repair attempts, misrepresentations by the seller. This warranty does not cover incidental or consequential damages and does not cover the cost of removing or reinstalling the unit(s). Cosmetic damage due to accident or normal wear and tear is not covered under warranty.